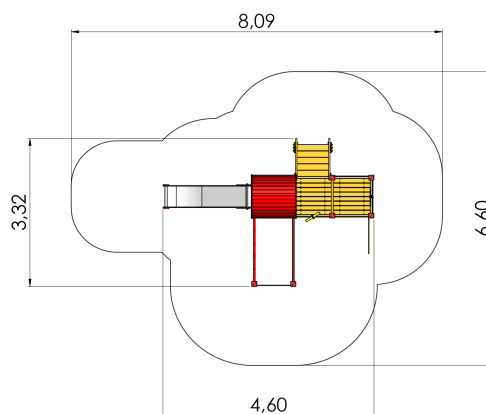


LM202-2 Slide MARION

<http://www.tiptiptap.ee/en/products/playgrounds/play-centres/slide-marion-lm202-2>



Technical information:

Width of structure: 3.32m

Length of structure: 4.6m

Height of structure: 3.37m

Max. fall height: 1.92m

Recommended age of users: 1+

For simultaneous use by several children: 3-6

Product consists of:

Ground fixings: The product's painted profile posts made of laminated timber are concreted into the ground using hot-galvanized metal tubular fittings.