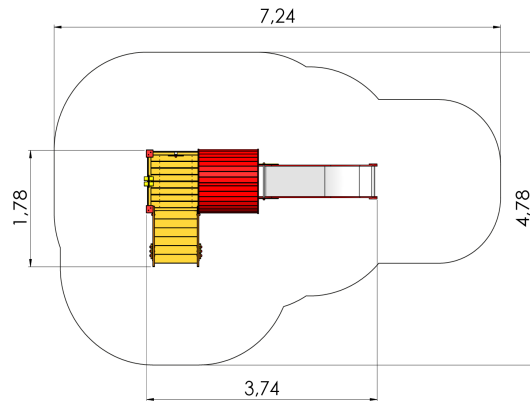


LM201 Slide EMMA

<http://www.tiptiptap.ee/en/products/playgrounds/play-centres/slide-emma-lm201>



Technical information:

Width of structure: 1.78m

Length of structure: 3.74m

Height of structure: 2.9m

Max. fall height: 1.2m

Recommended age of users: 1+

For simultaneous use by several children: 5-10

Product consists of:

Platforms: 1pc height 1.2m

Platforms: 1pc height 0.95m

Slides: 1pc height 1.2m

Stairs with handrails: 1pc

Play corners: 1pc

Safety area width: 4.78m

Safety area length: 7.24m

Ground fixings: The product's painted profile posts made of laminated timber are concreted into the ground using hot-galvanized metal tubular fittings.

Safety area: Yes

[View materials](#)

Product description:

A slide height 1,2m with two platforms, seals and a play corner is meant for children from the age 1 . To go to the first platform, children use stairs to which banisters in both sides are attached. There is a ship captain`s helm installed on the first platform. Under the slide platform, there is a thematic playroom where one can choose between a kitchen corner with a bench for girls or a driver`s compartment for boys.

The indoors slide does not have a roof and a "cheese wall" will be installed as an additional element. Recommended surface for the safety area: sand or rubber tiles.